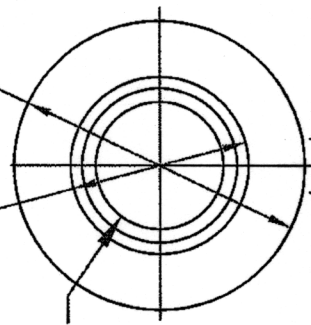


REVISIONS

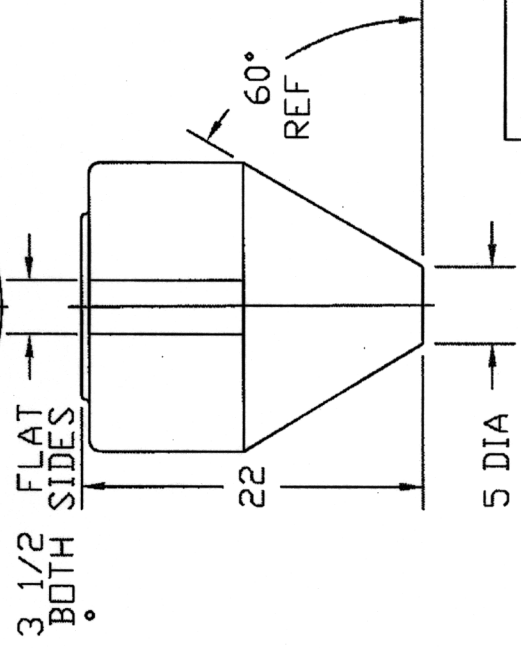
ZONE	REV	DESCRIPTION	DATE	APPROVED
	B	REDRAWN	18AUG97	

Ø11 1/2

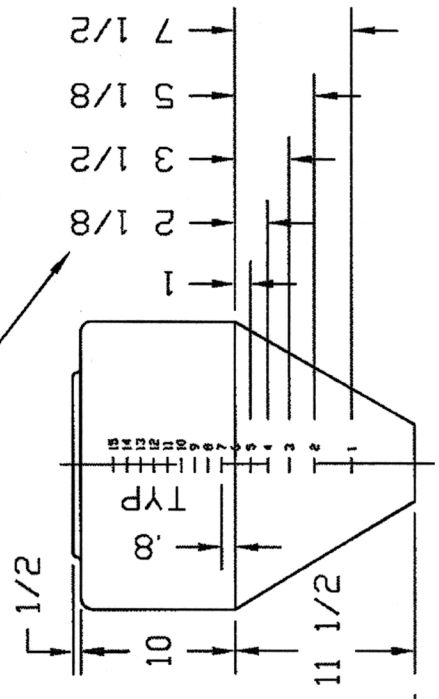


8 1/4 ACME THD,
RH, FOR 60002 LID

3 1/2 FLAT
BOTH SIDES



NOTE: THESE DIMENSIONS ARE MEASURED
ALONG THE SURFACE.
GALLON MARKS ON ONE SIDE ONLY.



NORWESCO
ST. BONIFACIUS, MN

15 GALLON INDUCTOR TANK

JTP 18AUG97

SIZE A

FSCM NO.

DWG NO.

REV B

SCALE 1/12

SHEET